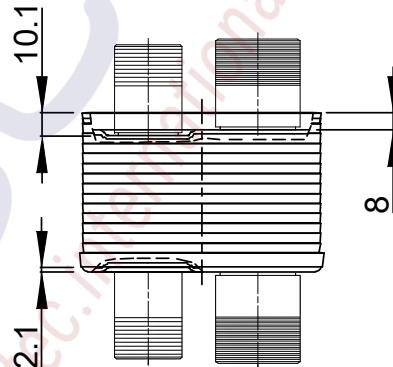
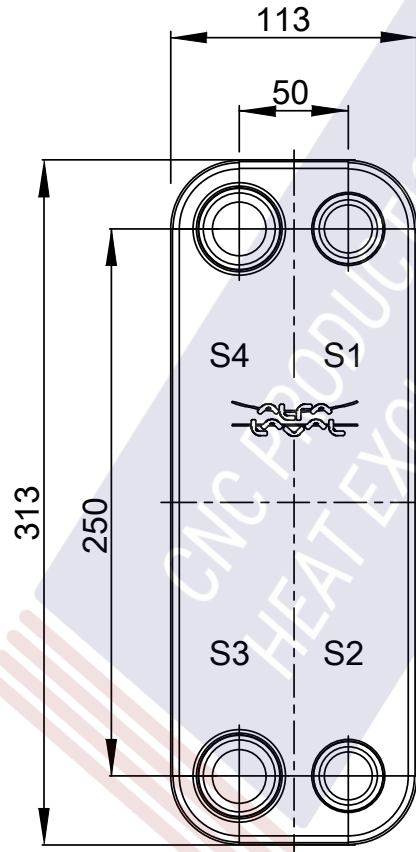
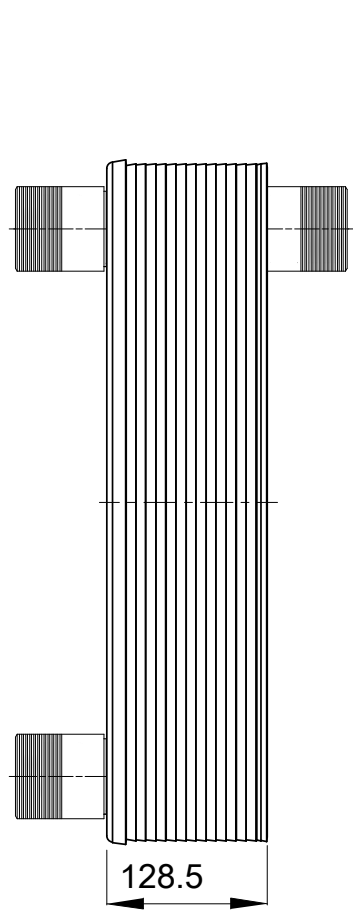
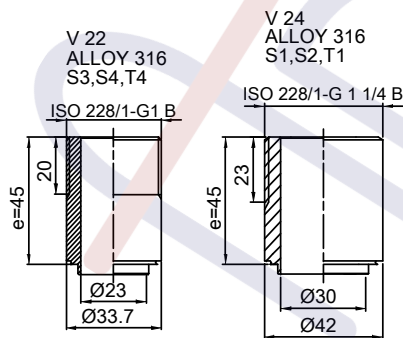


Note that all unique customer requirements (i.e tolerance) need to be verified thru Alfa Laval.



HEATING SURFACE m²
 NETWEIGHT 7.8 kg
 OPERATING WEIGHT kg
 PLATE MATERIAL ALLOY 316
 PLATE GROUPING 2*12H/1*12H+1*13H

T1 T2 T3 T4 locations on back side correspond to S1 S2 S3 S4 on front side

ALL DIMENSIONS IN MILLIMETERS

| SIDE | MEDIA | INLET | TEMP. °C | OUTLET | TEMP. °C | FLOW RATE | PRESSURE DROP | LIQUID VOL. |
|------|-------|-------|----------|--------|----------|-----------|---------------|---------------------|
| 1 | Water | S1 | °C | T1 | °C | kg/h | kPa | 1.4 dm ³ |
| 2 | Water | T4 | °C | S4 | °C | kg/h | kPa | 1.3 dm ³ |

PRESSURE VESSEL APPROVAL

PED

CB30-50H (3287084064)

www.alfalaval.com

CUSTOMER NAME / REF. NO.

TOTAL LENGTH 211 mm
 TOTAL WIDTH 113 mm
 TOTAL HEIGHT 313 mm

COMPANY / REF.
 Aptec production s.r.o.



7/8/2020
 REV 0