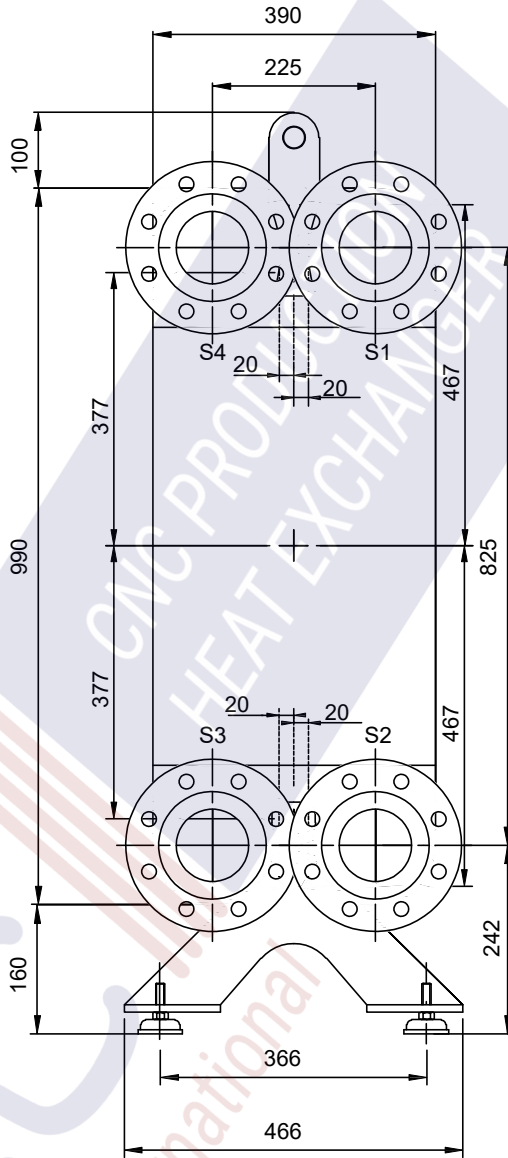
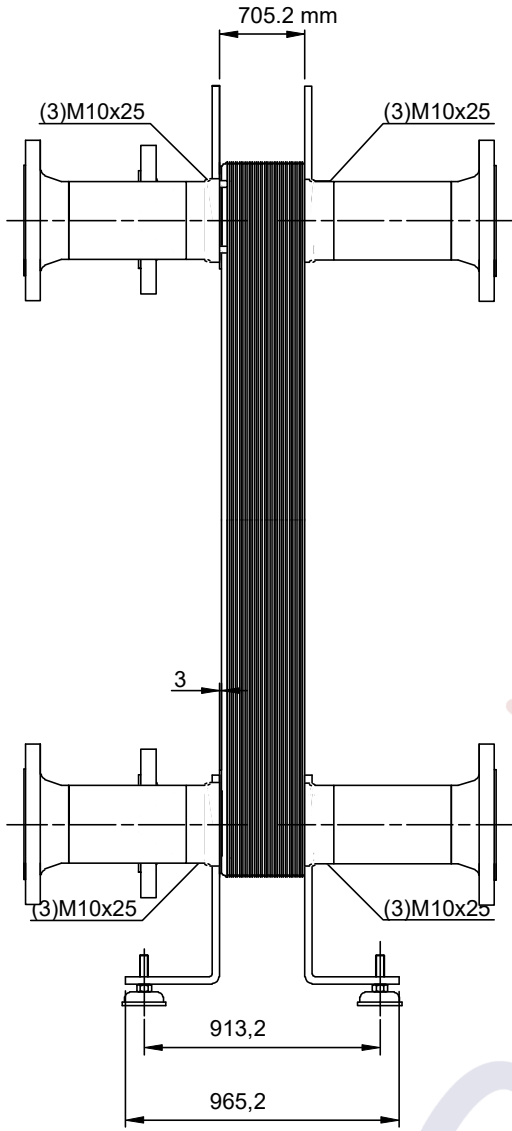
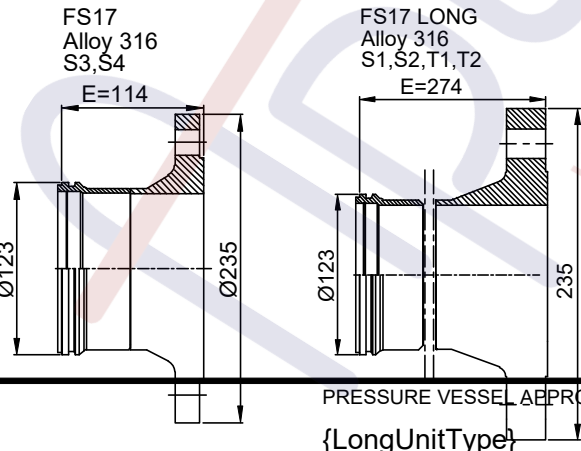


Note that all unique customer requirements (i.e tolerance) need to be verified thru Alfa Laval.



S1, S2, S3, S4 = e
 T1, T2, T3, T4 = e-5
 T1 T2 T3 T4 locations on back side
 correspond to S1 S2 S3 S4 on front side



PRESSURE VESSEL APPROVAL
 {LongUnitType}

{FreeText3}
 {FreeText4}
 {FreeText5}
 {FreeText6}
 {FreeText7}

HEATING SURFACE m²
 NETWEIGHT 441.4 kg
 OPERATING WEIGHT 640.5 kg
 PLATE MATERIAL Alloy 316

PLATE GROUPING 1*134H / 1*135H

ALL DIMENSIONS IN MILLIMETERS

SIDE	MEDIA	INLET	TEMP.	OUTLET	TEMP.	FLOW RATE	PRESSURE DROP	LIQUID VOL.
1	Water	S4	°C	S3	°C	m ³ /h	kPa	99.16 dm ³
2	Water	S2, T2	°C	S1, T1	°C	m ³ /h	kPa	99.90 dm ³

{PvcodePublish}

www.alfalaval.com

CUSTOMER NAME / REF. NO.	TOTAL LENGTH 1251.2	{FreeText1}
	TOTAL WIDTH 390.0	{FreeText2}
	TOTAL HEIGHT 1250.0	
COMPANY / REF.		{ProjectName}
		{ProjectName}
CFG 00001		2020-07-10
		REV 0

