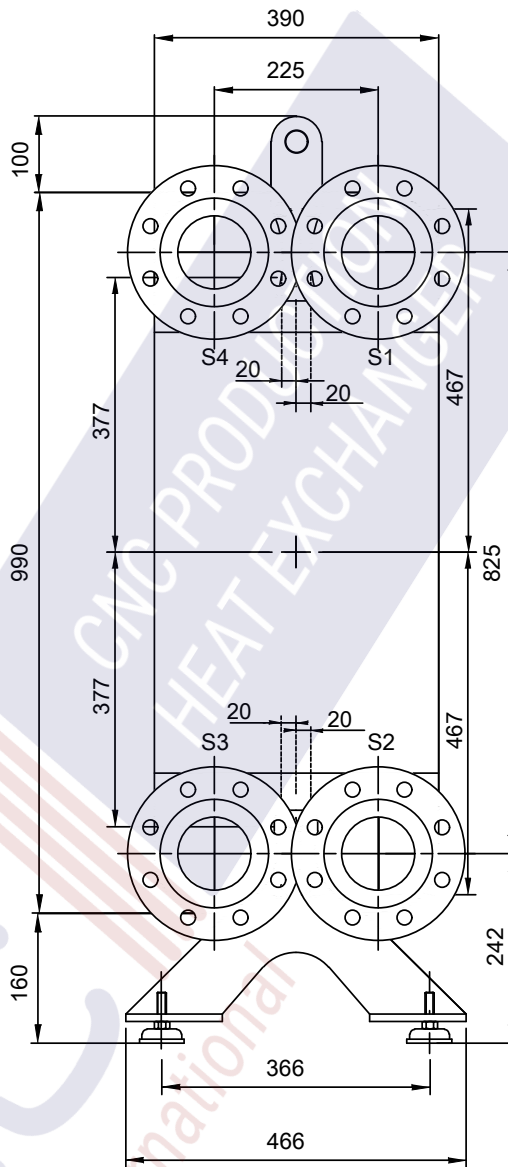
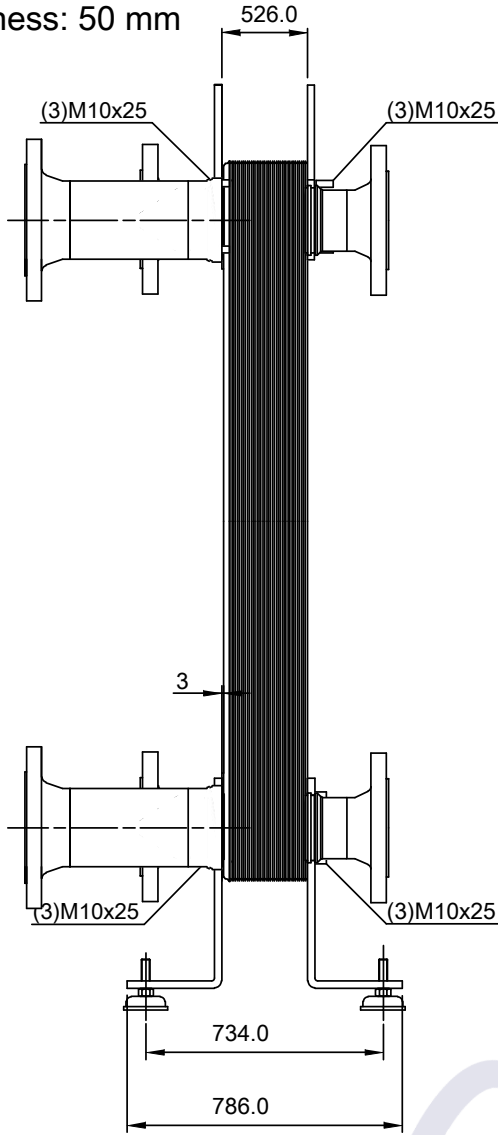


**HEATING INSULATION INCLUDED**

Thickness: 50 mm

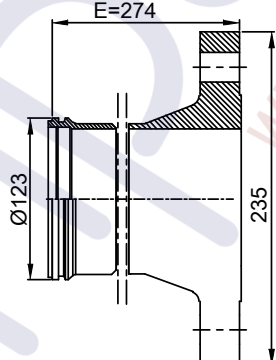
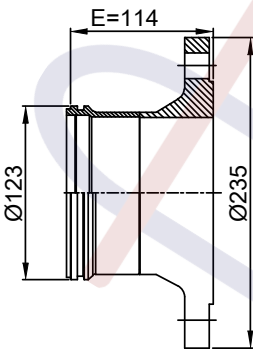


S1, S2, S3, S4 = e  
 T1, T2, T3, T4 = e-5  
 T1 T2 T3 T4 locations on back side  
 correspond to S1 S2 S3 S4 on front side

Note that all unique customer requirements (i.e tolerance) need to be verified thru Alfa Laval.

FS17  
 ALLOY 316  
 S3, S4, T1, T2

FS17 LONG  
 ALLOY 316  
 S1, S2



HEATING SURFACE	m <sup>2</sup>
NETWEIGHT	343.4 kg
OPERATING WEIGHT	kg
PLATE MATERIAL	ALLOY 316
PLATE GROUPING	1*99H/1*100H

ALL DIMENSIONS IN MILLIMETERS

SIDE	MEDIA	INLET	TEMP.	OUTLET	TEMP.	FLOW RATE	PRESSURE DROP	LIQUID VOL.
1	Water	S1	°C	S2	°C	kg/h	kPa	74.0 dm <sup>3</sup>
2	Water	S3	°C	S4	°C	kg/h	kPa	73.3 dm <sup>3</sup>

PRESSURE VESSEL APPROVAL

PED

CB400-200H (3075010506)

[www.alfalaval.com](http://www.alfalaval.com)

CUSTOMER NAME / REF. NO.

COMPANY / REF.  
 Aptec production s.r.o.

TOTAL LENGTH	931 mm
TOTAL WIDTH	390 mm
TOTAL HEIGHT	1250 mm



7/8/2020  
 REV 0