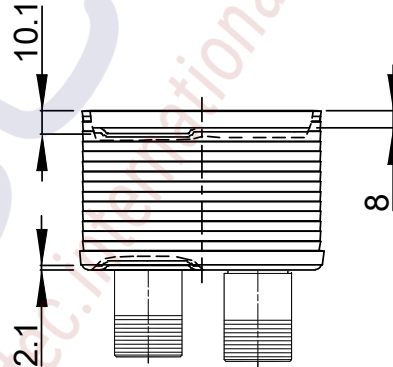
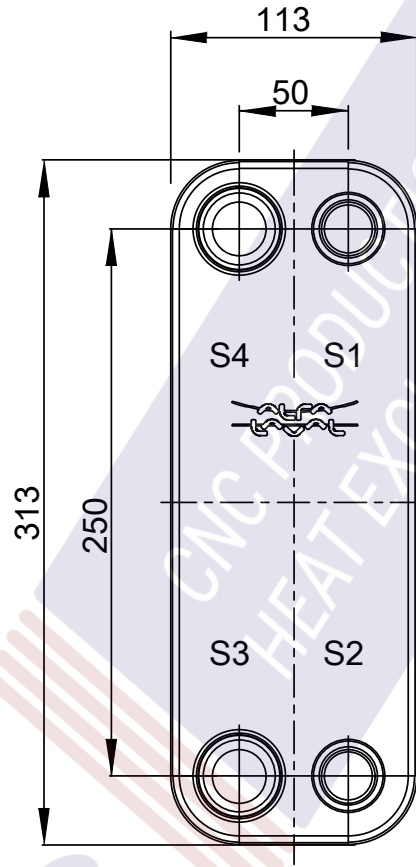
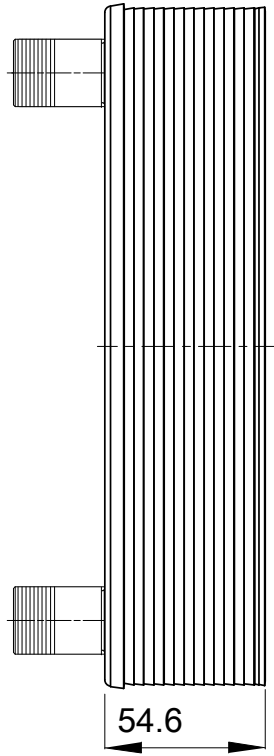
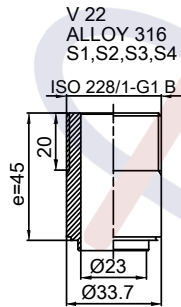


Note that all unique customer requirements (i.e tolerance) need to be verified thru Alfa Laval.



HEATING SURFACE m<sup>2</sup>  
 NETWEIGHT 3.8 kg  
 OPERATING WEIGHT kg  
 PLATE MATERIAL ALLOY 316  
 PLATE GROUPING 1\*8H/1\*9H

T1 T2 T3 T4 locations on back side correspond to S1 S2 S3 S4 on front side

ALL DIMENSIONS IN MILLIMETERS

| SIDE | MEDIA | INLET | TEMP. °C | OUTLET | TEMP. °C | FLOW RATE | PRESSURE DROP | LIQUID VOL.         |
|------|-------|-------|----------|--------|----------|-----------|---------------|---------------------|
| 1    | Water | S1    | °C       | S2     | °C       | kg/h      | kPa           | 0.5 dm <sup>3</sup> |
| 2    | Water | S3    | °C       | S4     | °C       | kg/h      | kPa           | 0.4 dm <sup>3</sup> |

PRESSURE VESSEL APPROVAL

PED

CB30-18H (3287083385)

[www.alfalaval.com](http://www.alfalaval.com)

CUSTOMER NAME / REF. NO.

COMPANY / REF.  
 Aptec production s.r.o.

TOTAL LENGTH 100 mm  
 TOTAL WIDTH 113 mm  
 TOTAL HEIGHT 313 mm

7/8/2020  
 REV 0