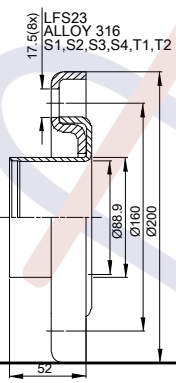
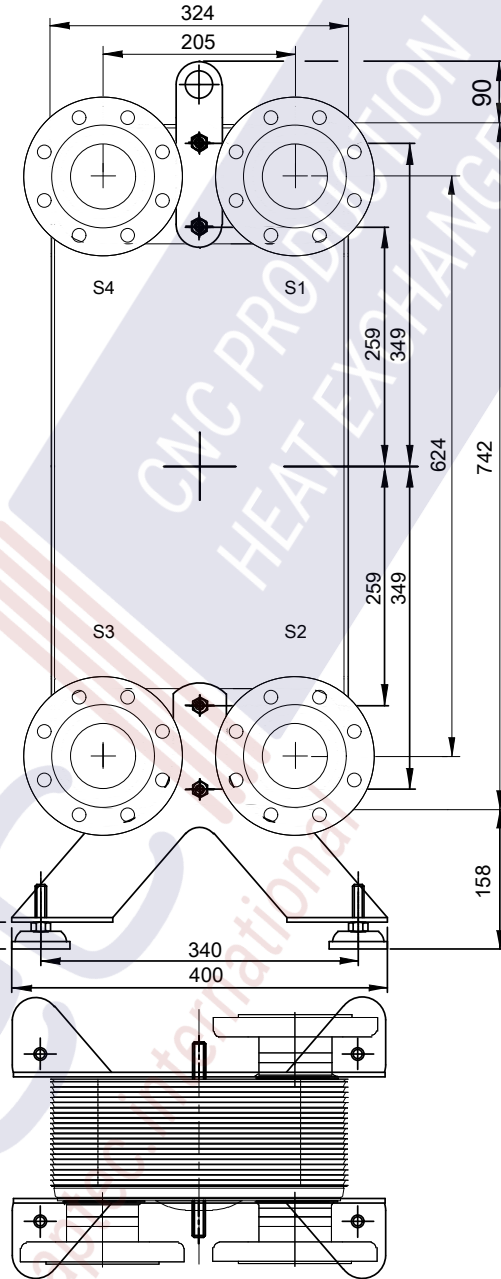
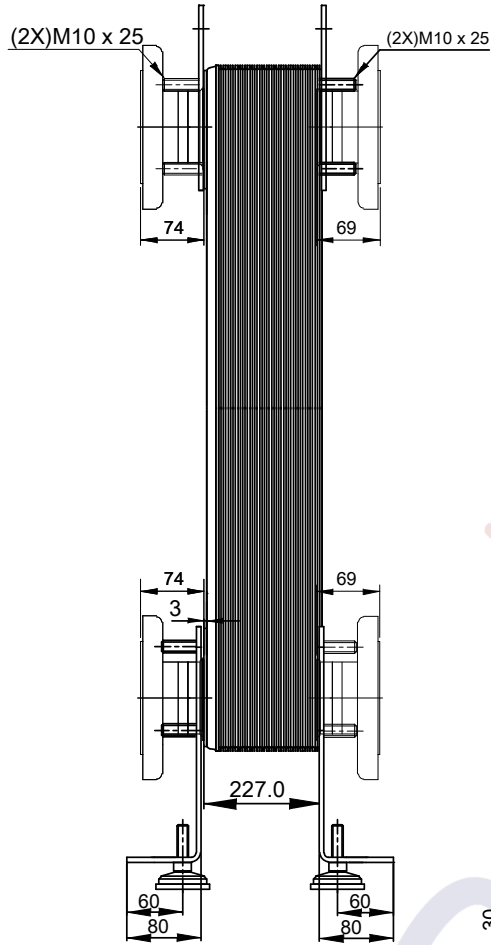


**HEATING INSULATION INCLUDED**  
**Thickness: 45 mm**

**FRAME PLATE**



HEATING SURFACE m<sup>2</sup>  
 NETWEIGHT 75.0 kg  
 OPERATING WEIGHT kg  
 PLATE MATERIAL ALLOY 316  
 PLATE GROUPING 1\*39ML/1\*40MH

T1 T2 T3 T4 locations on back side correspond to S1 S2 S3 S4 on front side

ALL DIMENSIONS IN MILLIMETERS

SIDE	MEDIA	INLET	TEMP. °C	OUTLET	TEMP. °C	FLOW RATE kg/h	PRESSURE DROP kPa	LIQUID VOL. dm <sup>3</sup>
1	Water	S1	°C	S2	°C	kg/h	kPa	20.4 dm <sup>3</sup>
2	Water	S3	°C	S4	°C	kg/h	kPa	19.9 dm <sup>3</sup>

Note that all unique customer requirements (i.e tolerance) need to be verified thru Alfa Laval.

PRESSURE VESSEL APPROVAL

PED

CB200-80M (3287184049)

www.alfalaval.com

CUSTOMER NAME / REF. NO.

COMPANY / REF.  
 Aptec production s.r.o.

TOTAL LENGTH 387 mm  
 TOTAL WIDTH 324 mm  
 TOTAL HEIGHT 990 mm



7/8/2020  
 REV 0