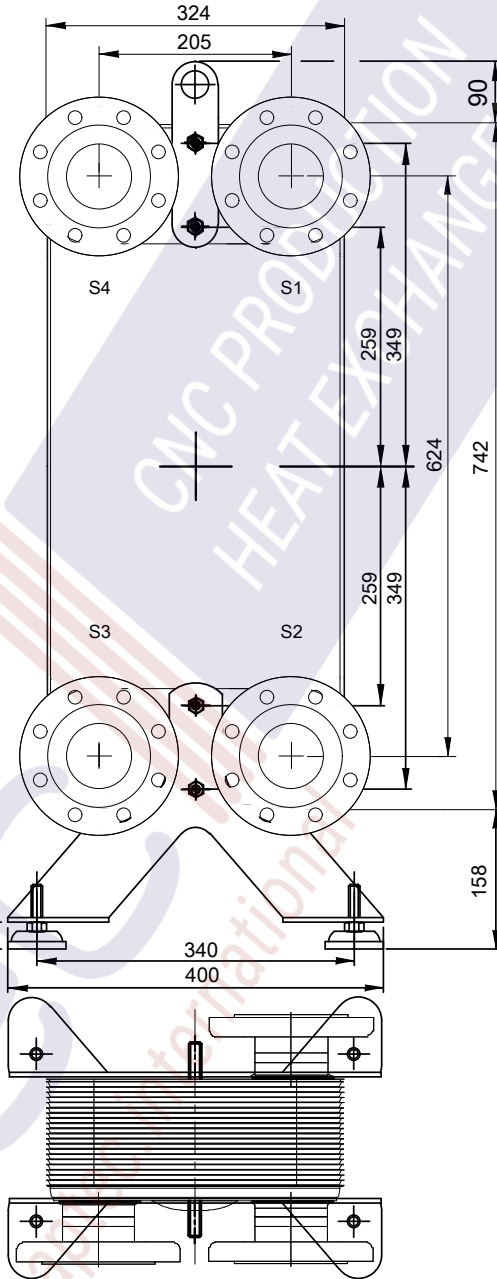
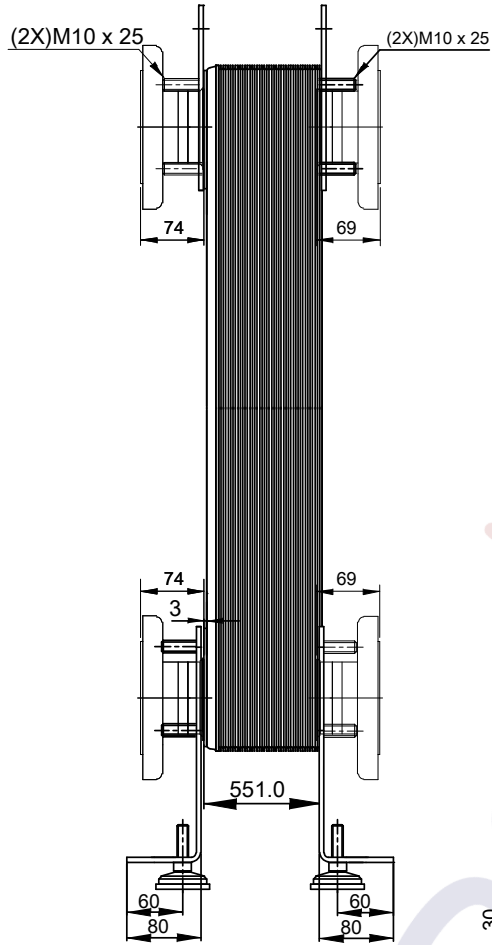
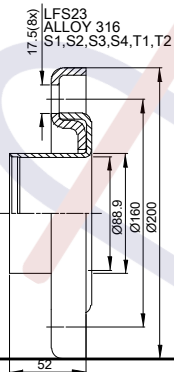


**HEATING INSULATION INCLUDED**  
**Thickness: 45 mm**

**FRAME PLATE**



T1 T2 T3 T4 locations on back side correspond to S1 S2 S3 S4 on front side



HEATING SURFACE m<sup>2</sup>  
 NETWEIGHT 147.0 kg  
 OPERATING WEIGHT kg  
 PLATE MATERIAL ALLOY 316  
 PLATE GROUPING 1\*99H/1\*100H

ALL DIMENSIONS IN MILLIMETERS

| SIDE | MEDIA | INLET | TEMP. °C | OUTLET | TEMP. °C | FLOW RATE | PRESSURE DROP | LIQUID VOL.          |
|------|-------|-------|----------|--------|----------|-----------|---------------|----------------------|
| 1    | Water | S1    | °C       | S2     | °C       | kg/h      | kPa           | 51.0 dm <sup>3</sup> |
| 2    | Water | S3    | °C       | S4     | °C       | kg/h      | kPa           | 50.5 dm <sup>3</sup> |

Note that all unique customer requirements (i.e tolerance) need to be verified thru Alfa Laval.

PRESSURE VESSEL APPROVAL

PED

CB200-200H (3287184047)

www.alfalaval.com

CUSTOMER NAME / REF. NO.

COMPANY / REF.  
 Aptec production s.r.o.

TOTAL LENGTH 711 mm  
 TOTAL WIDTH 324 mm  
 TOTAL HEIGHT 990 mm



7/8/2020  
 REV 0