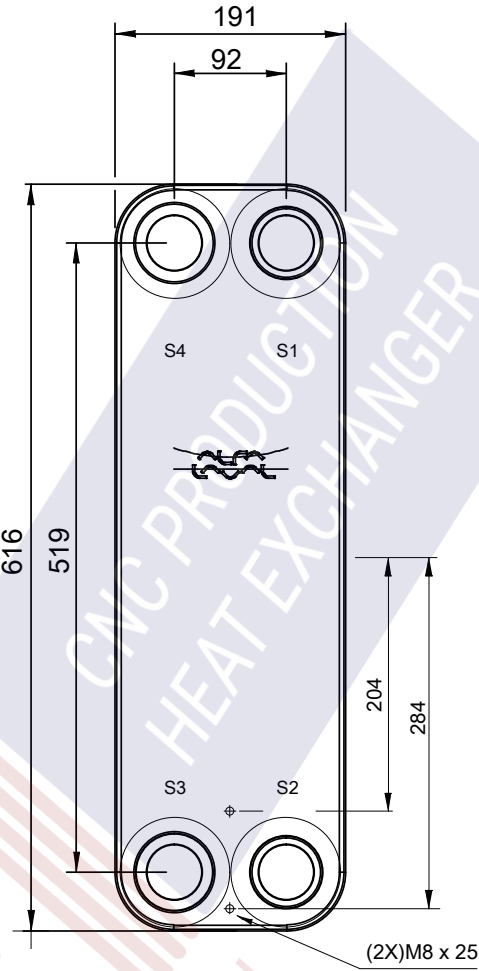
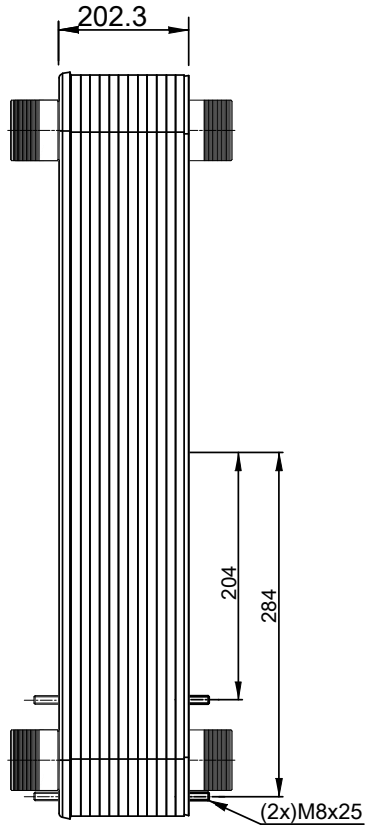
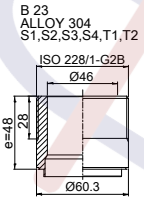


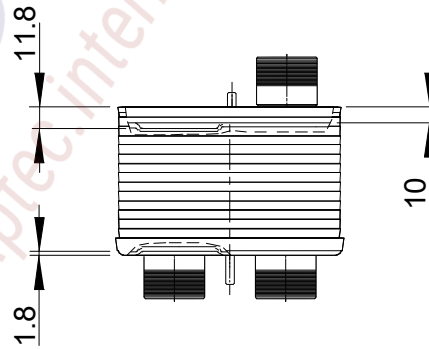
Note that all unique customer requirements (i.e tolerance) need to be verified thru Alfa Laval.



T1 T2 T3 T4 locations on back side correspond to S1 S2 S3 S4 on front side



B 23
ALLOY 304
S1, S2, S3, S4, T1, T2



HEATING SURFACE m²
NETWEIGHT 38.5 kg
OPERATING WEIGHT kg
PLATE MATERIAL ALLOY 316
PLATE GROUPING 1*44H/1*45H

ALL DIMENSIONS IN MILLIMETERS

SIDE	MEDIA	INLET	TEMP.	OUTLET	TEMP.	FLOW RATE	PRESSURE DROP	LIQUID VOL.
1	Water	S1	°C	S2	°C	kg/h	kPa	8.1 dm ³
2	Water	S3	°C	S4	°C	kg/h	kPa	7.9 dm ³

PRESSURE VESSEL APPROVAL

PED

CB112-90H-F (3287184167)

www.alfalaval.com

CUSTOMER NAME / REF. NO.

COMPANY / REF.
Aptec production s.r.o.

TOTAL LENGTH 288 mm
TOTAL WIDTH 191 mm
TOTAL HEIGHT 616 mm



7/8/2020
REV 0