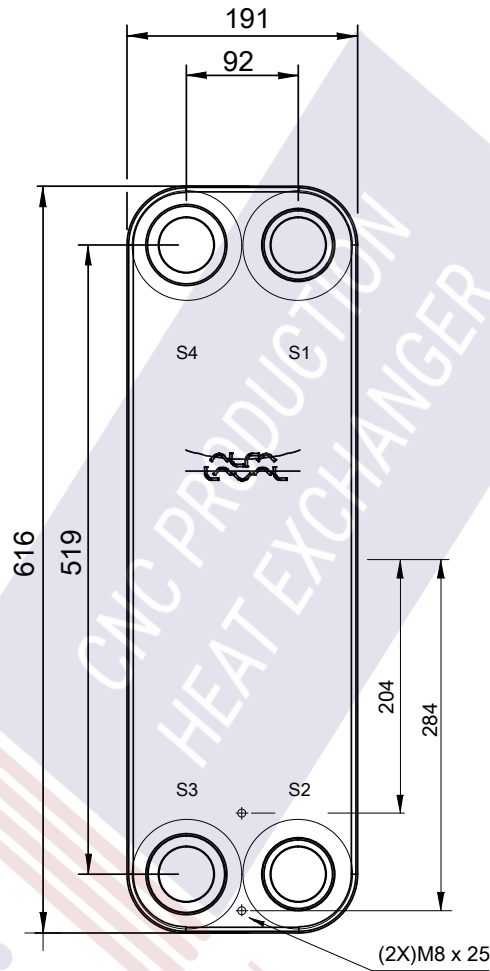
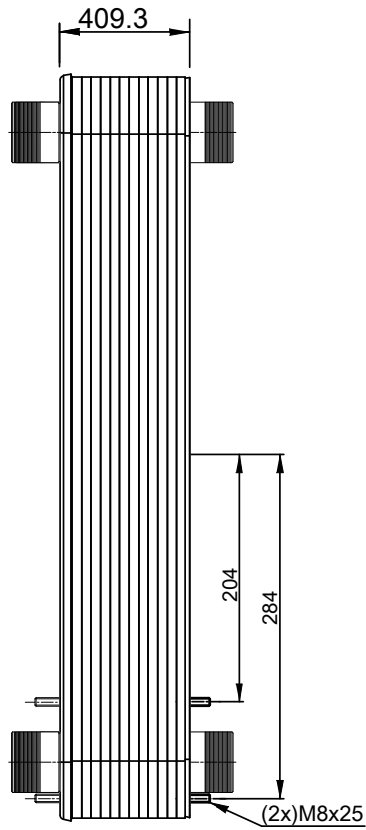
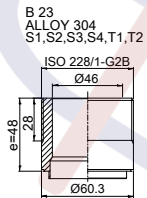


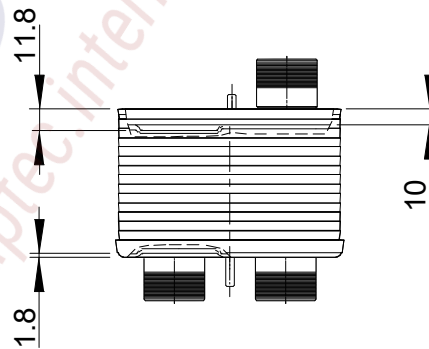
Note that all unique customer requirements (i.e tolerance) need to be verified thru Alfa Laval.



T1 T2 T3 T4 locations on back side correspond to S1 S2 S3 S4 on front side



B 23  
ALLOY 304  
S1, S2, S3, S4, T1, T2



HEATING SURFACE m<sup>2</sup>  
NETWEIGHT 73.4 kg  
OPERATING WEIGHT kg  
PLATE MATERIAL ALLOY 316  
PLATE GROUPING 1\*94H/1\*95H

ALL DIMENSIONS IN MILLIMETERS

SIDE	MEDIA	INLET	TEMP. °C	OUTLET	TEMP. °C	FLOW RATE	PRESSURE DROP	LIQUID VOL.
1	Water	S1	°C	S2	°C	kg/h	kPa	17.1 dm <sup>3</sup>
2	Water	S3	°C	S4	°C	kg/h	kPa	16.9 dm <sup>3</sup>

PRESSURE VESSEL APPROVAL

PED

CB112-190H-F (3287184172)

www.alfalaval.com

CUSTOMER NAME / REF. NO.

TOTAL LENGTH 495 mm  
TOTAL WIDTH 191 mm  
TOTAL HEIGHT 616 mm

COMPANY / REF.  
Aptec production s.r.o.



7/8/2020  
REV 0