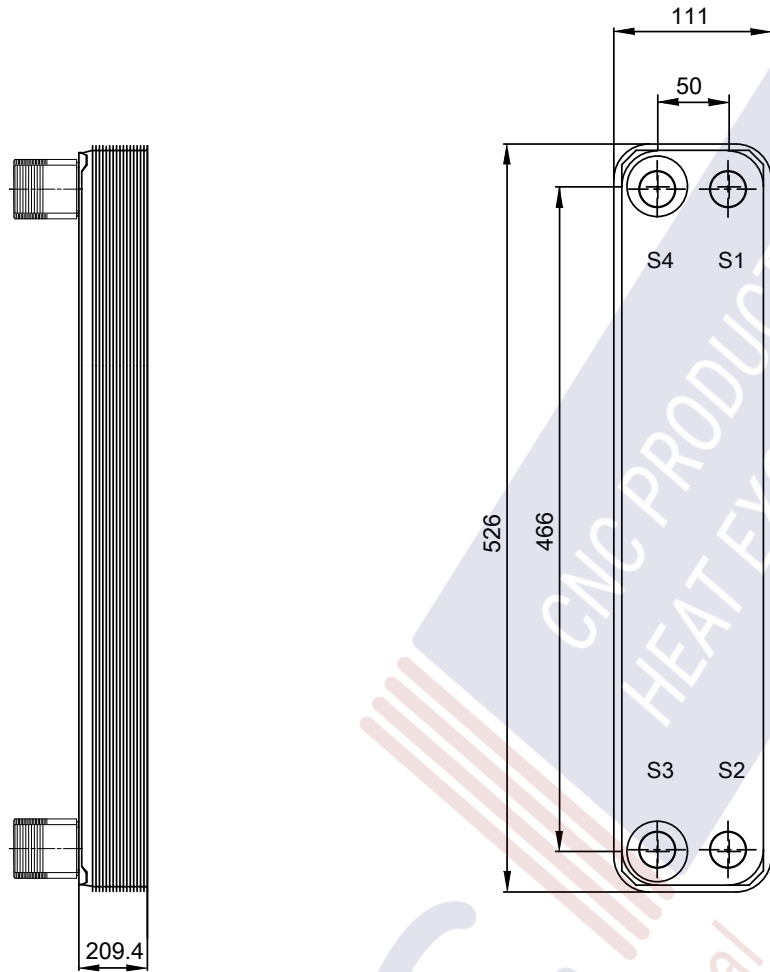
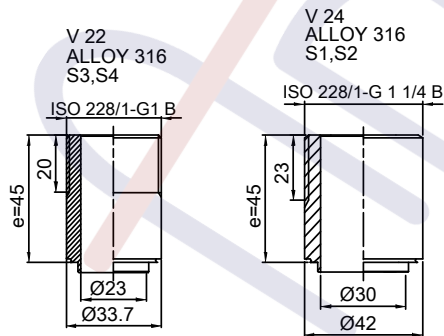


Note that all unique customer requirements (i.e tolerance) need to be verified thru Alfa Laval.



Frameplate is depressed 2 mm at connection S3/S4  
 Pressureplate is depressed 2 mm / even number of channel plates  
 at connections T3/T4 / uneven number of channel plates at  
 connections T1/T2.

HEATING SURFACE  $m^2$   
 NETWEIGHT 19.9 kg  
 OPERATING WEIGHT kg  
 PLATE MATERIAL ALLOY 316  
 PLATE GROUPING 1\*39H/1\*40H

T1 T2 T3 T4 locations on back side  
 correspond to S1 S2 S3 S4 on front side

ALL DIMENSIONS IN MILLIMETERS

SIDE	MEDIA	INLET	TEMP. °C	OUTLET	TEMP. °C	FLOW RATE	PRESSURE DROP	LIQUID VOL.
1	Water	S1	°C	S2	°C	kg/h	kPa	3.8 dm <sup>3</sup>
2	Water	S3	°C	S4	°C	kg/h	kPa	3.7 dm <sup>3</sup>

PRESSURE VESSEL APPROVAL

PED

AlfaNova 52-80H (3287050289)

[www.alfalaval.com](http://www.alfalaval.com)

CUSTOMER NAME / REF. NO.

TOTAL LENGTH 254 mm  
 TOTAL WIDTH 111 mm  
 TOTAL HEIGHT 526 mm

COMPANY / REF.  
 Aptec production s.r.o.



7/8/2020  
 REV 0