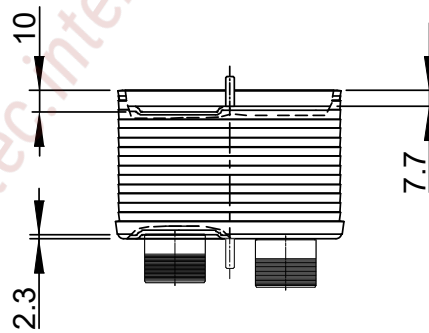
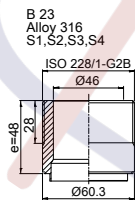
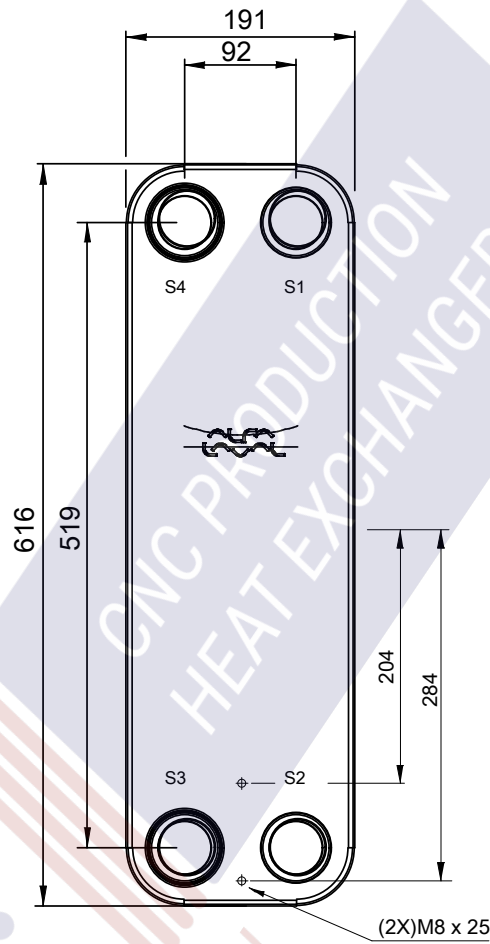
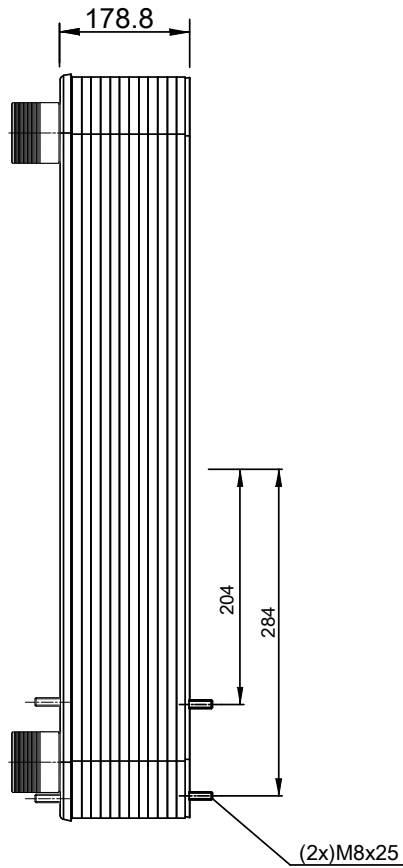


Note that all unique customer requirements (i.e tolerance) need to be verified thru Alfa Laval.



HEATING SURFACE  
 NETWEIGHT 28.8 kg  
 OPERATING WEIGHT  
 PLATE MATERIAL Alloy 316  
 PLATE GROUPING 1\*31H/1\*32H

ALL DIMENSIONS IN MILLIMETERS

SIDE	MEDIA	INLET	TEMP.	OUTLET	TEMP.	FLOW RATE	PRESSURE DROP	LIQUID VOL.
1								6.51 dm <sup>3</sup>
2								6.72 dm <sup>3</sup>

PRESSURE VESSEL APPROVAL

PED

CB110-64H (3287101560)

www.alfalaval.com

CUSTOMER NAME / REF. NO.

TOTAL LENGTH 241.8 mm  
 TOTAL WIDTH 191.0 mm  
 TOTAL HEIGHT 616.0 mm

COMPANY / REF.



6/28/2021  
 REV 0